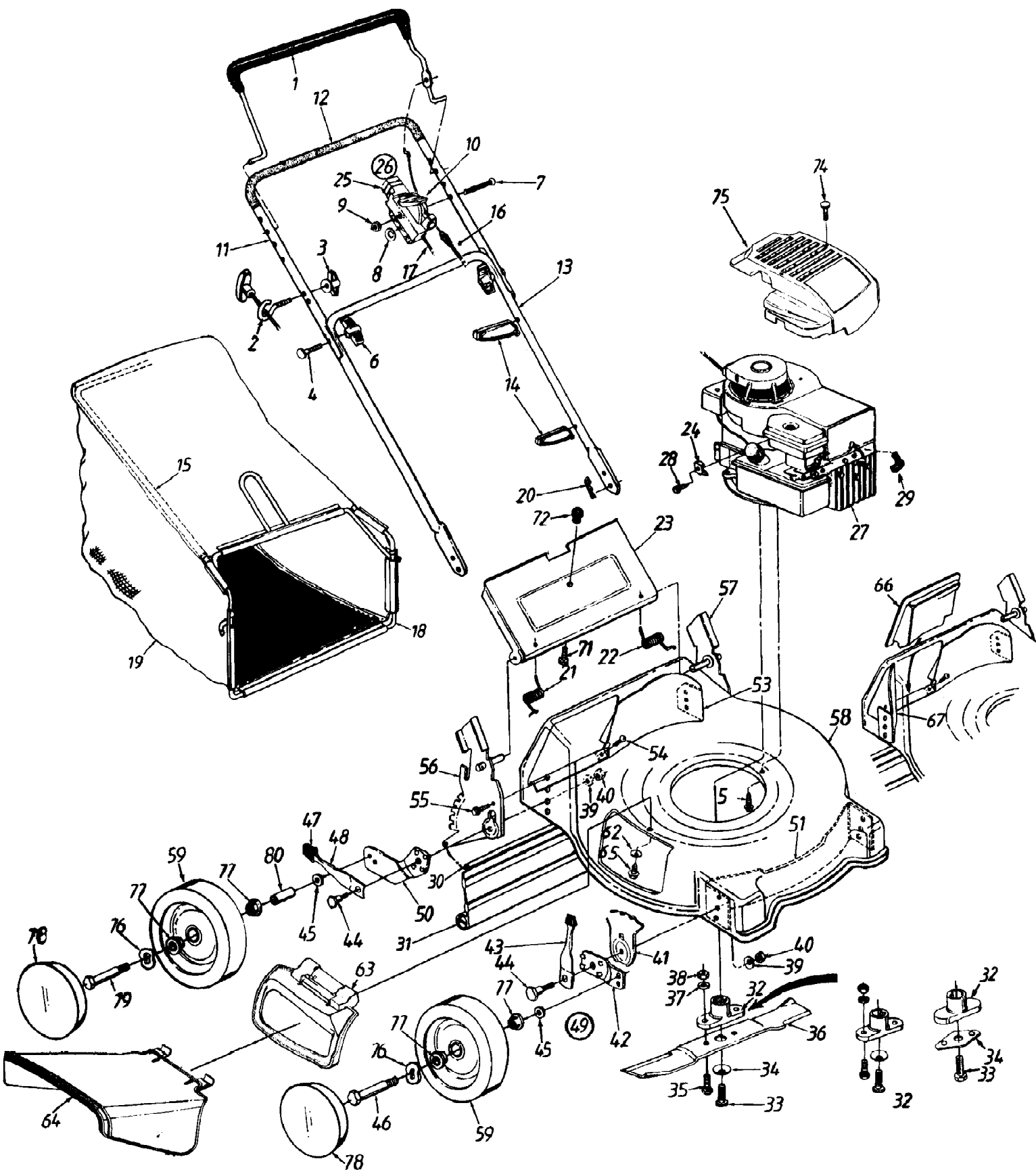


11A-436F190 LC-436 (1997)
Handle, Wheels, Deck Ass'y, Wheel Ass'y



11A-436F190 LC-436 (1997)
Handle, Wheels, Deck Ass'y, Wheel Ass'y

Page 2 of 3

Ref #	Part Number	Qty	S/P/F	Description
1	647-0004	1		Control Handle Ass'y.
2	710-1205	1	/P	Rope Guide
3	720-0279	1	/P	Handle Knob 1/4-20 Thd.
4	710-1174	1	/P	Curved Hd. Bolt 5/16-18 x 2" Lg.
5		1		UNKNOWN
6	720-0276	1	S	Hand Knob
7	710-0605	1	/P	Oval C-Sunk Mach. Scr.
8	736-0501	1	S	Spr. Wash. .66" I.D.
9	712-0324	1	/P	Hex L-Nut 1/4-20 Thd.
10	746-0876	1	S	Throttle Lever
11	749-0538C	1	S	Upper Handle
12	720-0226	1	S	Foam Grip
13	749-0928	1	S	Lower Handle
14	726-0240	1	S	Cable Tie
15	764-0310	1	S	Rear Catcher Frame
16	746-0553	1	S	Control Cable - 36"
17	746-0843	1	S	Throttle Control Wire - 55"
18	764-0311	1	S	Front Catcher Frame
19	764-0476A	1	S	Grass Bag
20	714-0104	1	S	Int. Cotter Pin 5/16" Dia.
21	732-0678	1		Door Spring - R.H.
22	732-0677	1	S	Door Spring - L.H.
23	782-7000	1		Rear Discharge Door
24	751B213146	1	/P	Cable Clamp
25	646-0875	1	S	Throttle Body
26	811-00185	1	S	Throttle Box Comp. (Incl. Ref. 7, 8, 9, 10, 25)
27		1		Engine
28	710-1237	1		Hex Wash. Hd. Scr. #10-32 x .62" Lg.
29	735-0639	1	/P	Spark Plug Boot (Optional)
30	732-0700	1	/P	Wire Rod
31	731-1236	1	S	Rear Flap
32	753-0588	1	S	Blade Adapter Kit Blade secured by 1 bolt. Code: N Notates a new part (not previously existing)
	753-0484	1		Blade Adapter Kit Blade secured by 3 bolts.
33	710-1044	1	/P	Hex Bolt 3/8-24 x 1.5" Lg. Blade secured by 1 bolt.
34	736-0524A	1	S	Blade Bell Support Blade secured by 3 bolts.
	736-0452	1	S	Bell-Wash. .39" I.D.
35	710-1055	1	/P	Hex Bolt 3/8-24 x 1" Lg. Blade secured by 3 bolts.
36	742-0741	1	S	21" Mulching Blade Blade secured by 1 bolt.
	742-0721	1	S	21" Mulching Blade Blade secured by 3 bolts.
37	736-0169	1	S/F	L-Wash. 3/8" I.D.
38	712-0241	1	/P	Hex Nut 3/8-24 Thd.
39	736-0356	1	S	Bell-Wash. .39" I.D. x 1.38"
40	712-0798	1	/P/F	Hex Nut 3/8-16 Thd.
41	15261A	1	S	Height Adj. Plate
42	15262B	1	/P	Pivot Bar
43	14832	1	S	Spring Lever Ass'y. w/Knob
44	738-0507B	1	S	Shld. Bolt .5" Dia. x .357"
45	736-0105	1	S	Shld. Bolt .5" Dia. x .357" I.D. x .88" O.D.

11A-436F190 LC-436 (1997)

Page 3 of 3

Handle, Wheels, Deck Ass'y, Wheel Ass'y

Ref #	Part Number	Qty	S/P/F	Description
46	738-0102	1	S	Front Axle Bolt
47	720-0190	1	S	Spring Lever Knob
48	732-0417A	1	/P	Spring Lever
49	14578	1	/P	Weight Adj. Ass'y. Comp. - R.H.
	14579	1		Height Adj. Ass'y. Comp. - L.H. (Not shown)
50	14765	1		Pivot Bar
51	782-5002	1	S	Front Baffle
?52	710-0654A	1	/P	Hex L-Wash. Hd. Scr. 3/8-16 x 1" Lg.
53	782-5003	1	S	Rear Baffle
54	710-1017	1	/P	Torx Mach. AB-Tap Scr. 1/4 x .62" Lg.
55	710-0892	1	S	Hex L-Wash. Hd. AB-Tap Scr. 1/4 x .62" Lg.
56	682-0516	1	S	Handle Brkt. Ass'y. - R.H.
57	682-0515	1	S	Handle Brkt. Ass'y. - L.H.
58	782-0047	1	S	21" R.D. w/S.D. Feature
59	734-1819	1	S	Wheel Ass'y. Comp.
?62	736-0270	1	/P	Bell-Washer 1/4" I.D.
63	682-7000	1	/P	Hinged Mulching Plug
64	731-1409	1	S	Chute Deflector
?65	710-0599	1	/P	Hex Head Self-Tap Scr. 1/4-20 x .5" Lg.
66	782-5007	1	S	Mulching Baffle Plug
67	782-5004	1	S	Mulching Baffle - R.R.
?68	731-1405	1	S	Deflector (Optional)
?69	711-0996	1		Rod (Optional)
?70	726-0201	1		Push Speed Nut (Optional)
71	710-0192	1	/P	Truss Scr. #10-24 x .38" Lg.
72	720-0275	1		Knob
74	710-1256	1	/P	Hi-Lo Scr. #10 x 1.25" Lg.
75	751B281451	1	/P	XTL Grey Shroud
76	736-0504	1	S	Wave Washer
77	741-0180	2 Req'd.	S	Ball Bearings
78	731-0981A	1	S	Hub Cap
79	738-0213	1	/P	Rear Axle Bolt
80	750-0535	1	S	Spacer